

4

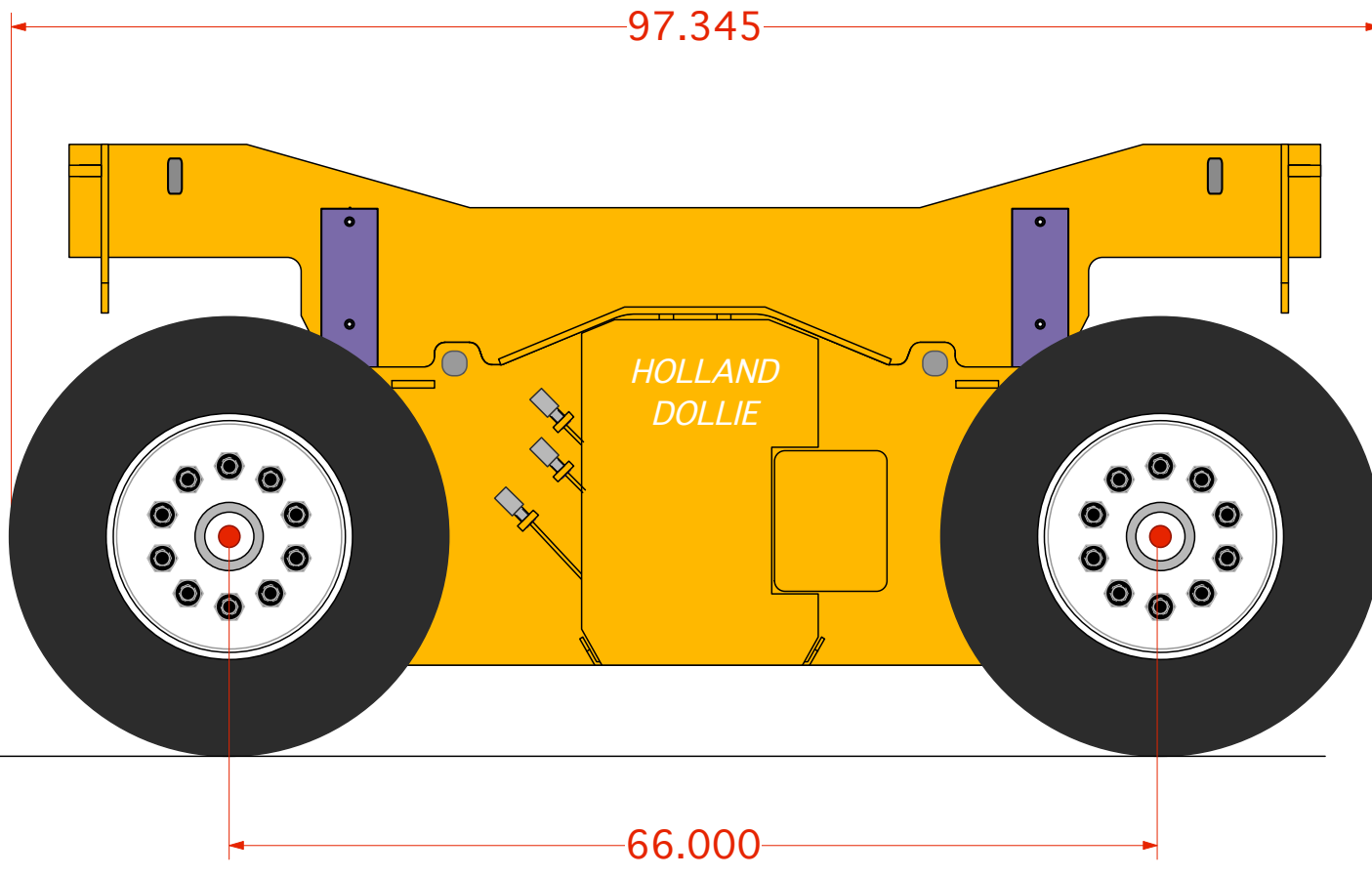
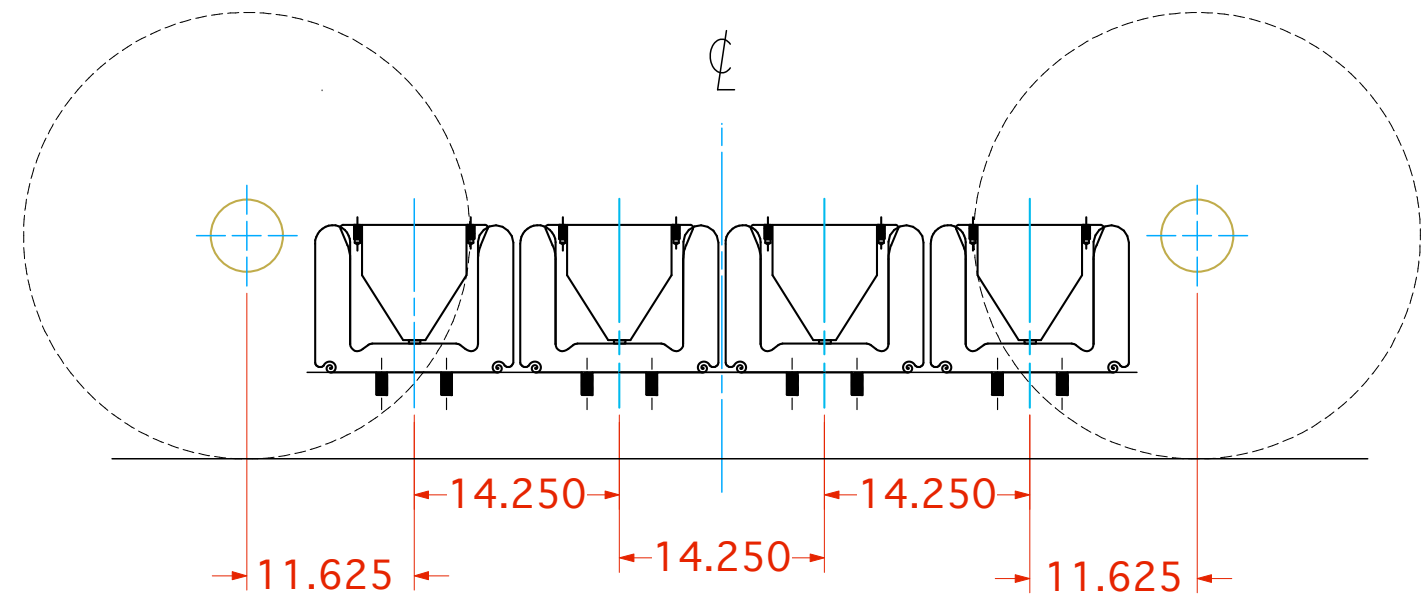
3

2

1

ISSUE #	DATE	DESCRIPTION	APP'D

Bag Spacing



Holland Moving & Rigging

TITLE		
PART NUMBER	DRAWN BY	DATE
CAD FILE NAME	APPROVALS	SIZE
		C

4

3

2

1