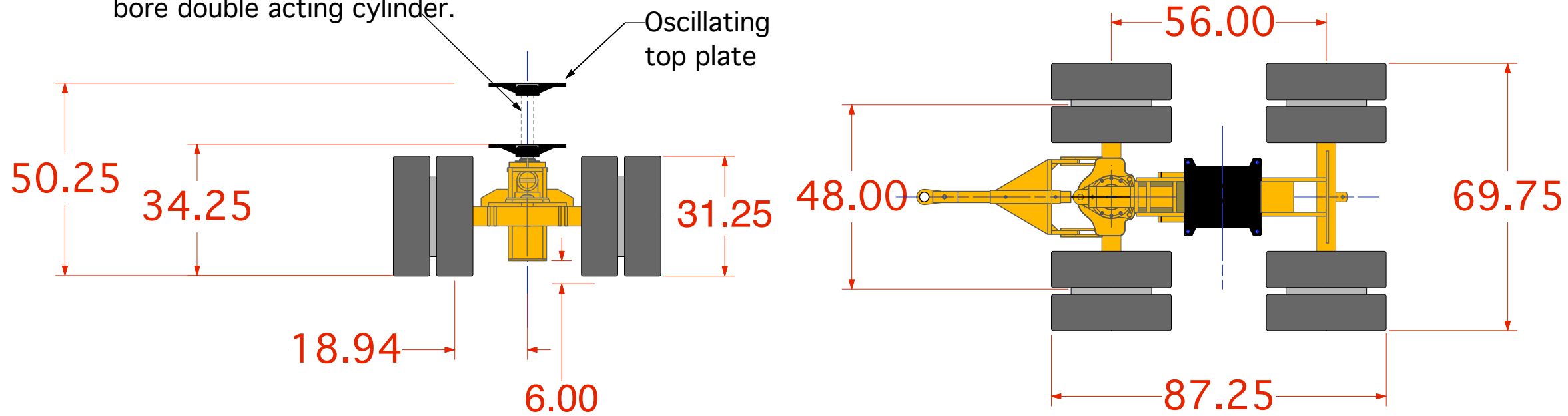


# 40 ton plate dolly with 235/75R17.5 18 ply tires

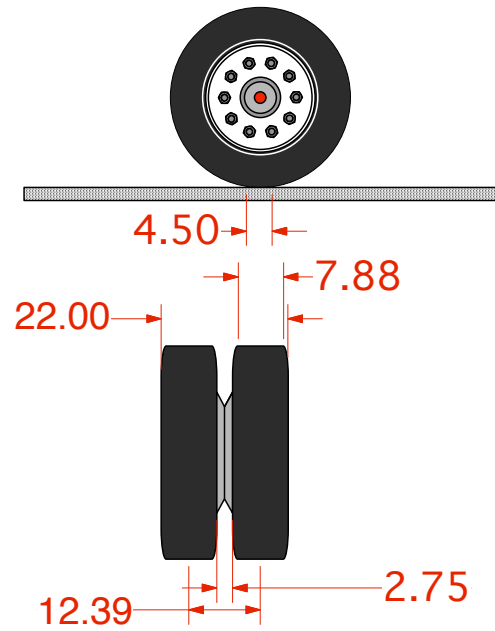
ISSUE #	DATE	DESCRIPTION	APPD

Dolly has 16 inch stroke on 5 inch bore double acting cylinder.

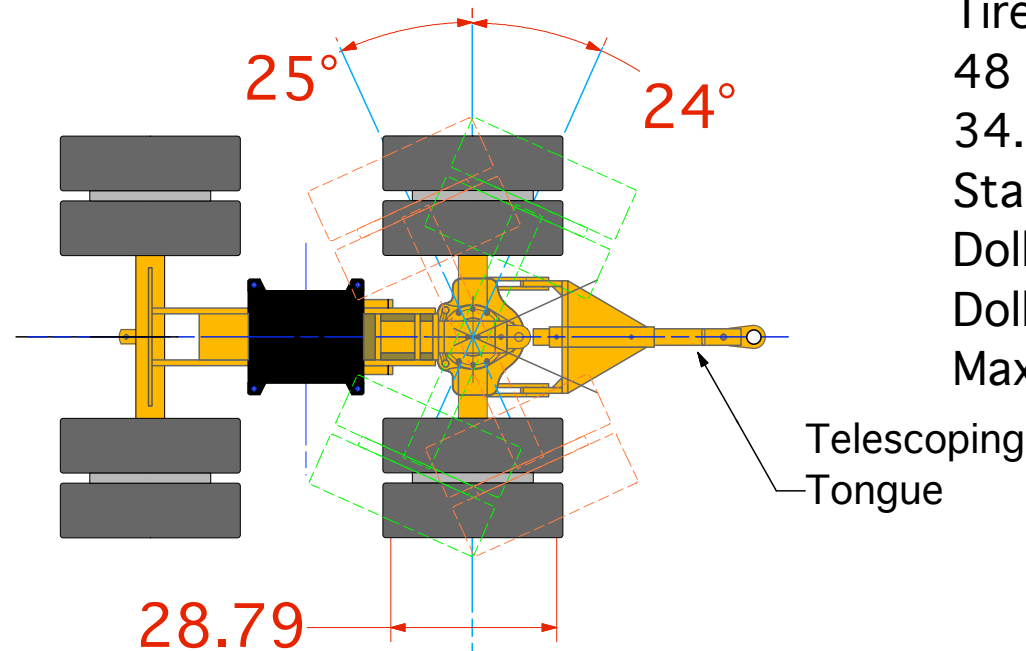
Oscillating top plate



Each Dolly - 2 Axles, 4 Tires/Axle  
 Tire size = 235/75R17.5  
 48 inch Track  
 34.25 inch Load Height  
 Standard Dolly weight 3200 lbs  
 Dollie with front brakes 3600 lbs  
 Dollie capacity rated at 40 tons  
 Max operating pressure - 5000 psi



Wheel spacing and foot print



Turning radius

Telescoping Tongue

Holland Moving & Rigging			
TITLE 17.5 specs.			
PART NUMBER	DRAWN BY PO	DATE 8/20/01	
CAD FILE NAME	APPROVALS	SIZE C	