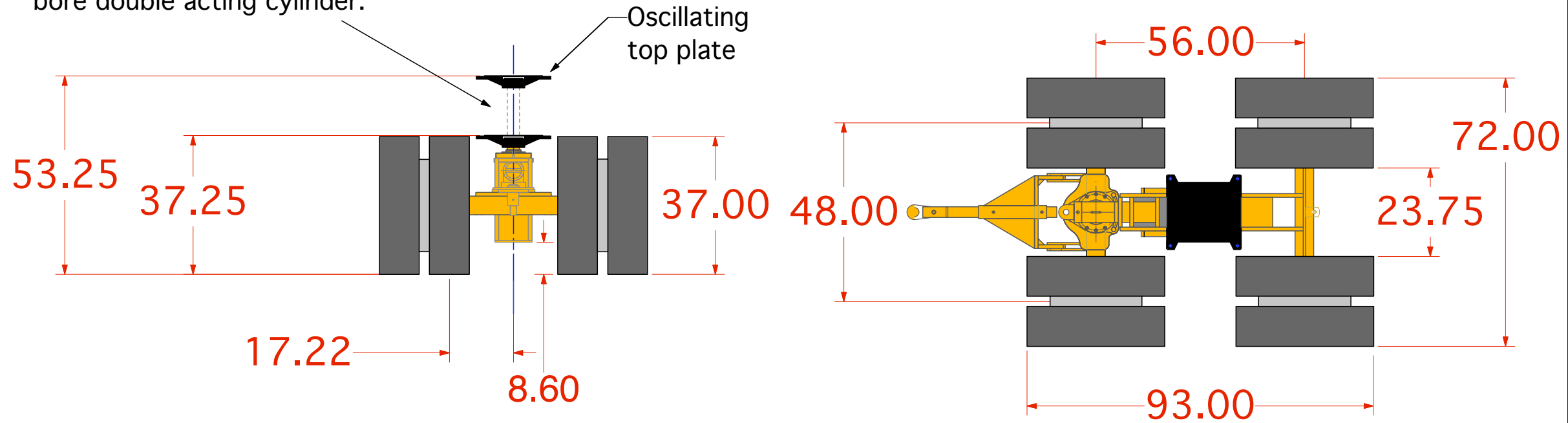


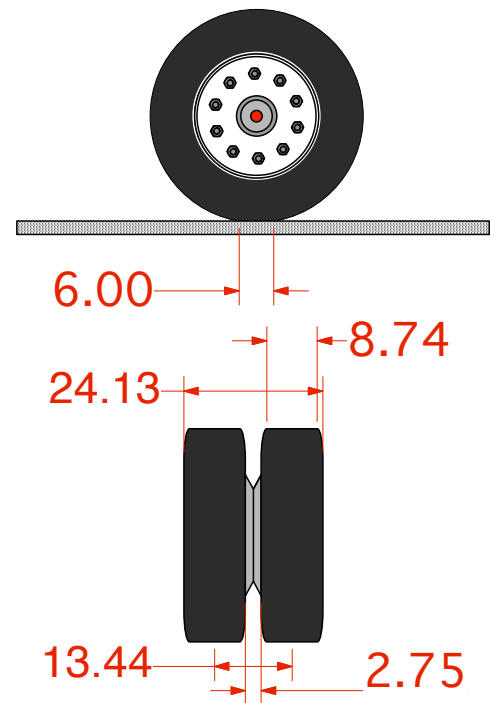
# 40 ton plate dolly with 275/70R22.5 16 ply tires

ISSUE #	DATE	DESCRIPTION	APPD

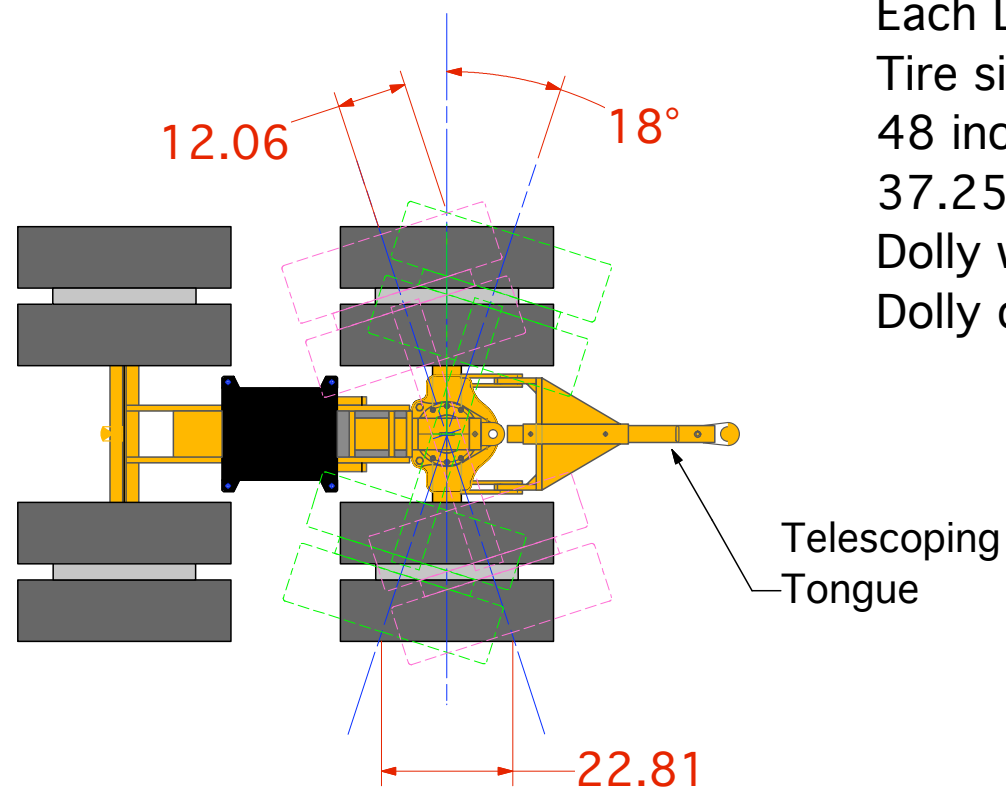
Dolly has 16 inch stroke on 5 inch bore double acting cylinder.



Each Dolly - 2 Axles, 4 Tires / Axle  
 Tire size = 22.5  
 48 inch Track  
 37.25 inch Load Height  
 Dolly weight is 3800 lbs  
 Dolly capacity rated at 40 tons



Wheel spacing and footprint



Turning radius

Holland Moving & Rigging		
TITLE 22.5 Specs.		
PART NUMBER	DRAWN BY PO	DATE 8/20/01
CAD FILE NAME	APPROVALS	SIZE C