

4

3

2

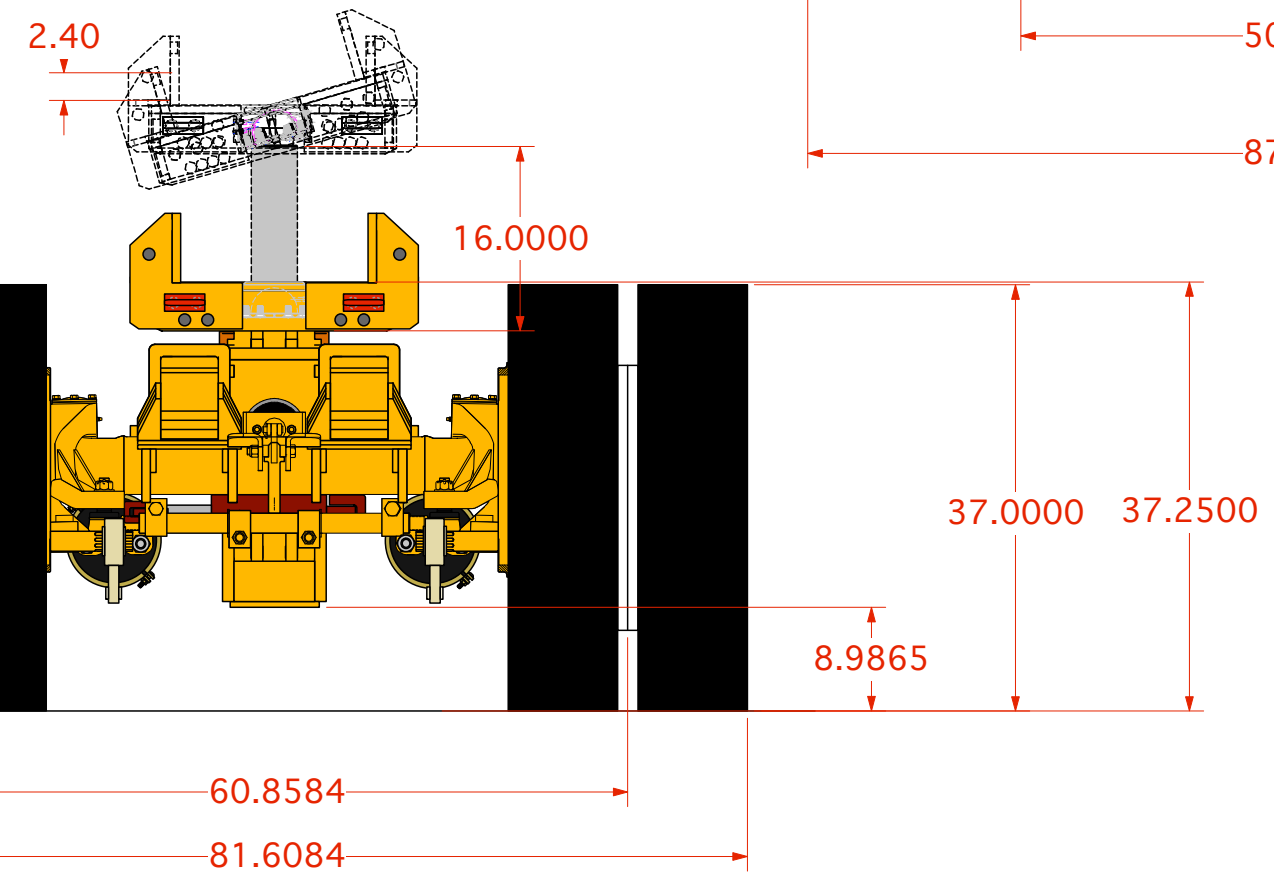
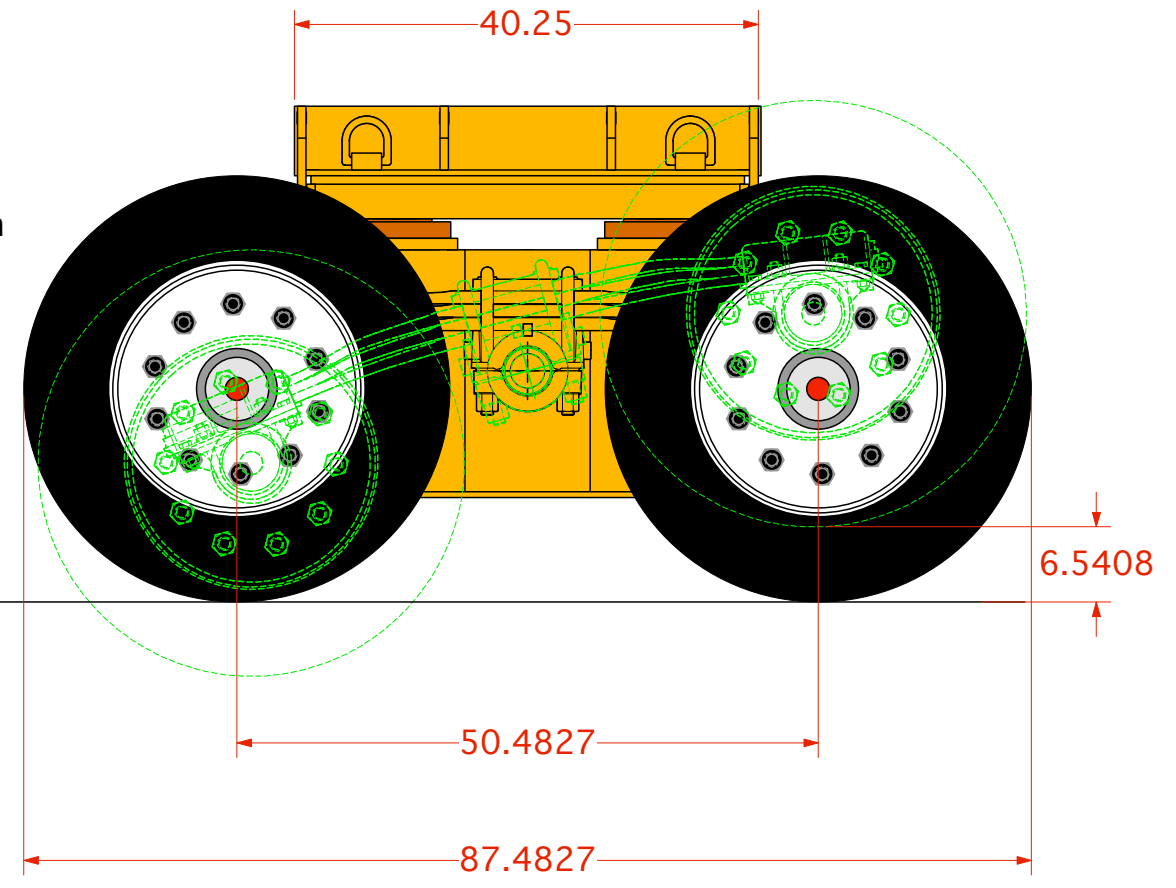
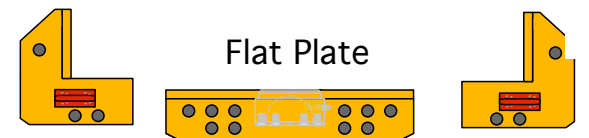
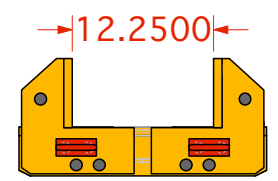
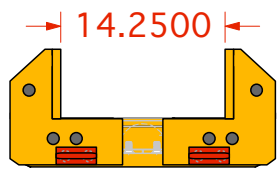
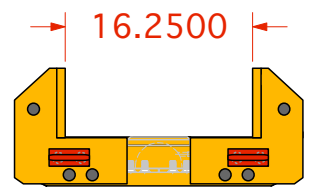
1

ISSUE #	DATE	DESCRIPTION	APP'D

Spring Hydraulic Dollie

30 Ton Capacity
 Load Height 37.25 inches
 16 inch stroke
 15 degree axle oscillation
 Power Crab steering to 20 degrees
 Adjustable top plate
 9 inches of ground clearance
 Tire size 275/70R x 22.5
 Axle lock for straight ahead axle position
 Brakes on both axles

Estimated Dollie weight - 5400lb



Holland Housemoving Inc.		
TITLE		
PART NUMBER	DRAWN BY	DATE
CAD FILE NAME	APPROVALS	SIZE C

4

3

2

1

D

D

C

C

B

B

A

A